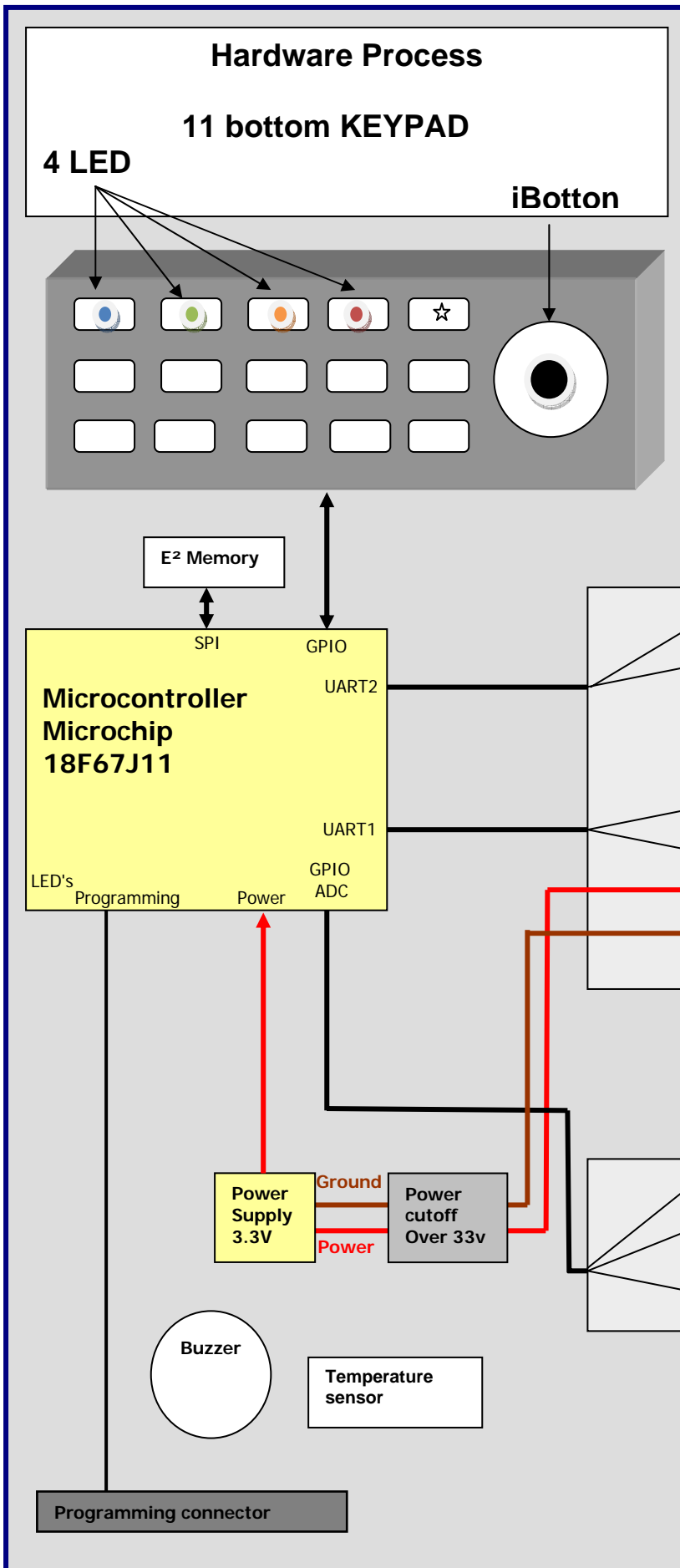


# EZkey Block Diagram



## Programming Process

The EZkey get all inputs and outputs via UART1 AT command that send to the Microcontroller

The Microcontroller running C program that handles all KEYS, iBotton, inputs, outputs, Leds and Temperature sensor.